
FLOUCH

ENGINEERING COMPANY LIMITED

Refractory Anchors



www.refractory-anchors.co.uk

Introduction

Flouch is a leading manufacturer of refractory anchors for the heat treatment industries with over fifty years experience in design and production.

Based in Sheffield, United Kingdom, we have modern production facilities with large stocks of raw materials to produce round and flat anchors. We are able to service our customers with fast delivery and competitive prices worldwide. Flouch produces anchors as standard in the following steel qualities

Steel Qualities

ST 37	Carbon Steel
1.4301	304
1.4845	310
1.4835	253MA
1.4864	330
1.4828	309
INCONEL	600 (2.4816), 601 (2.4851), 800 (1.4876)

Specification	Type 304	Type 310
Nearest Werkstoff	4301	4845
Maximum service temp. under certain conditions	800°C	1100°C
Melting Points	1440°C	1490°C

Other qualities are also available as required. In addition to standard type Anchors Flouch can produce customers special requirements. Please contact us.

Typical Chemical Composition%

Specification	Type 304	Type 310
C	0.06	0.15
Si	0.20/1.00	0.20/1.00
Mn	0.50/2.00	0.50/2.00
P Max	0.045	0.045
S Max	0.030	0.030
Cr	17.5/19.0	23.0/26.0
Al	-	-
Ni	8.00/11.0	19.0/22.0
Others	-	-

Standard Material Specifications

304 (18/8)

A widely used Stainless Steel Grade containing 18% Chromium and 8% Nickel as main elements.

310 (25/20)

A heat resisting steel which combines excellent resistance to both corrosion and oxidation at elevated temperatures. It is suitable to moderate thermal shock and has high strength at high temperatures.



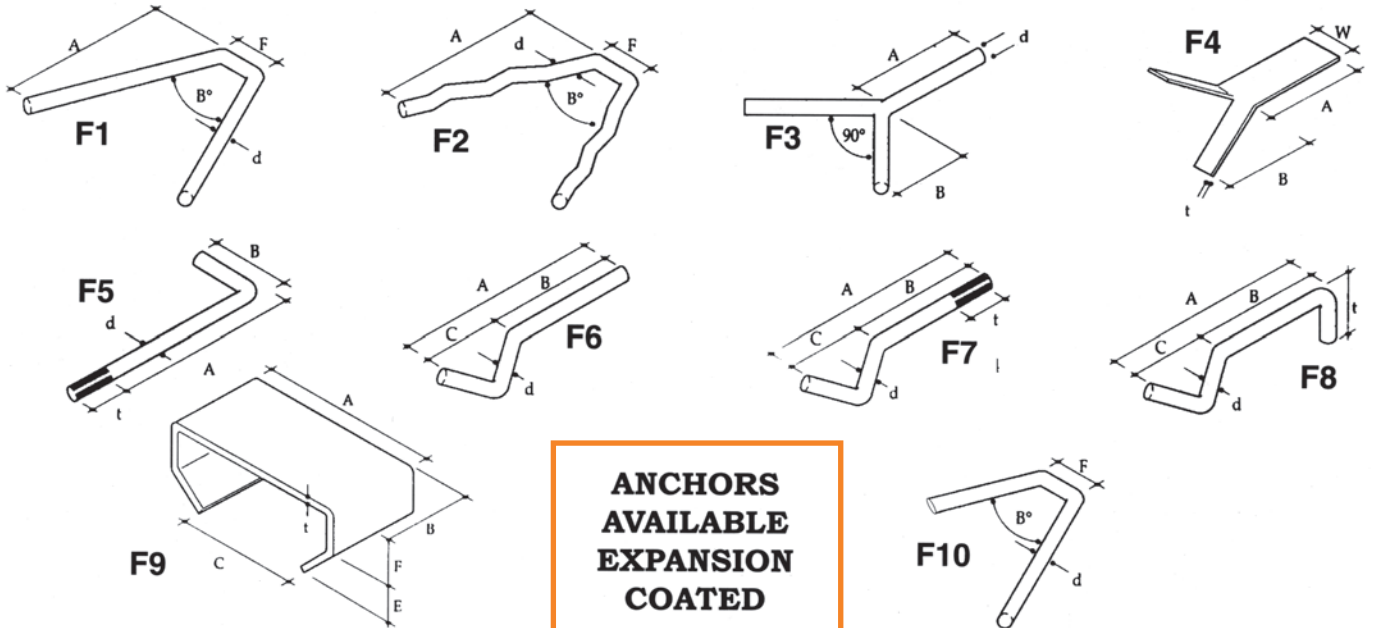
Clients

Cement
Lime
Steel
Power Plant
Petrochemical
Aluminium
Paper
Incineration
Refractory Engineering

Flexi anchors installed at cement plant



Standard Anchors - Size and Material Range



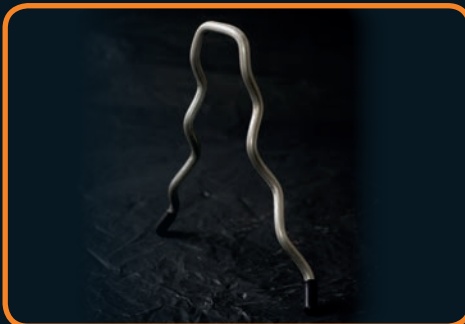
ANCHORS AVAILABLE EXPANSION COATED

Type	Diameters/Thickness		Material	
	mm		Grade 304	Grade 310
F1	6,8,10,12		✓	✓
F2	6,8,10,12		✓	✓
F3	6,8,10,12		✓	✓
F4	30 x 3	30 x 5	✓	✓
F5	M5 - M24		✓	✓
F6	8,10,12,16,20		✓	✓
F7	8,10,12,16,20		✓	✓
F8	8,10,12,16,20		✓	✓
F9	3,4,5		✓	✓
F10	6,8,10,12		✓	✓

Product Range



- Refractory Anchors
- Bricking Shims
- Bricking Shelves /Konsoles
- Hexmetal - Flat Panels and Rolled
- Ceramic Fibre Fixings
- Ceramic Anchors
- Cast Products
- Stainless Steel Fibres



FLOUCH ENGINEERING COMPANY LIMITED

Stocksbridge, Sheffield S36 4HH, UK

Email: flouchc@aol.com

Telephone: +44 (0)1226 763239 Fax: +44 (0)1226 370205

www.refractory-anchors.co.uk